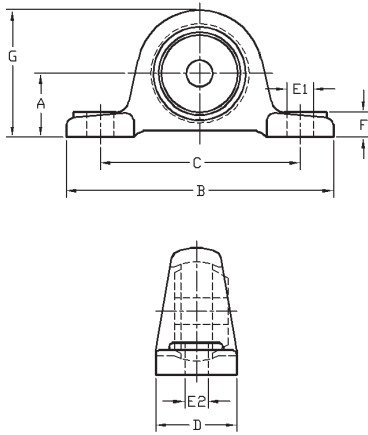


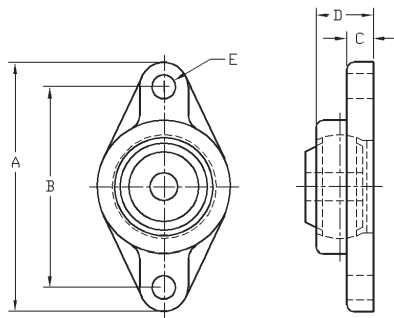
Mounted Units



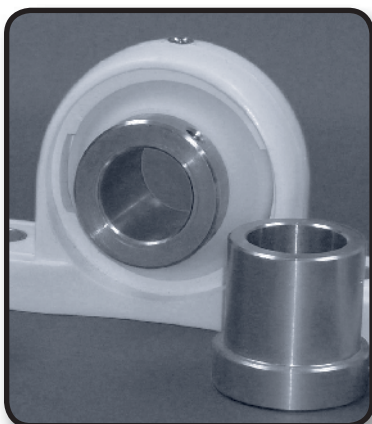
Pillow Blocks

Size	Shaft (inches)	Shaft (mm)	A	B	C	D	E1	E2	F	G
P204-12	3/4		1-5/16	5	3-3/4	1-1/2	1/2	7/16	1/2	2-17/32
P204		20	33.3	127	95	38	14	11	13	64
P205-14	7/8		1-7/16	5-1/2	4-1/8	1-1/2	1/2	7/16	1/2	2-25/32
P205		25	36.5	140	105	38	14	11	13	71
P205-16	1									
P206-17	1-1/16									
P206-18	1-1/8		1-11/16	6-1/2	4-3/4	1-7/8	23/32	1/2	19/32	3-5/16
P206		30	42.9	165	121	48	18	14	12	84
P206-19	1-3/16									
P206-20	1-1/4									
P207-20	1-1/4									
P207-21	1-5/16									
P207-22	1-3/8		1-7/8	6-9/16	5	1-7/8	23/32	1/2	5/8	3-21/32
P207		35	47.6	167	127	48	18	14	16	93
P207-23	1-7/16									
P208-24	1-1/2		1-15/16	7-1/4	5-13/32	2-1/8	23/32	1/2	21/32	3-27/32
P208-25	1-9/16									
P208		40	49.2	184	137	54	18	14	17	98

Two-Bolt Flange



Size	Shaft (inches)	Shaft (mm)	A	B	C	D	E
FL204-12	3/4		4-7/16	3-35/64	7/16	1	7/16
FL204		20	113	90	11	25.5	11
FL205-14	7/8		5-1/8	3-57/64	1/2	1-1/16	7/16
FL205-15	15/16						
FL205		25	130	99	13	27	11
FL205-16	1						
FL206-17	1-1/16						
FL206-18	1-1/8		5-13/16	4-39/64	1/2	1-7/32	7/16
FL206		30	148	117	12	31	11
FL206-19	1-3/16						
FL206-20	1-1/4						
FL207-20	1-1/4						
FL207-21	1-5/16						
FL207-22	1-3/8		6-11/32	5-1/8	9/16	1-11/32	33/64
FL207		35	161	130	14	34	13
FL207-23	1-7/16						
FL208-24	1-1/2						
FL208-25	1-9/16		6-7/8	5-43/64	9/16	1-13/32	1/2
FL208		40	175	144	14	36	14

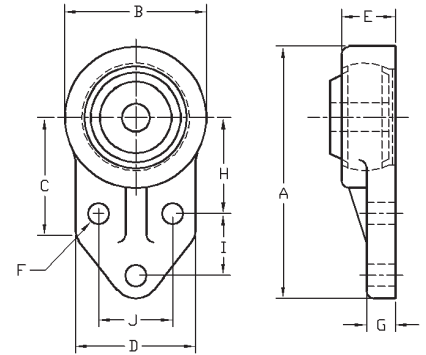


Configurations Available

- Plastic bearing inserts
- Ball bearing inserts
- Stainless steel sleeves available for shaft protection or positive locking

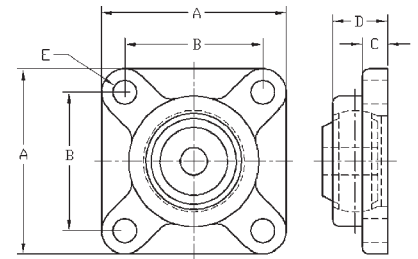
Three-Bolt Flange

Size	Shaft (inches)	Shaft (mm)	A	B	C	D	E	F	G	H	I
FLT204-12	3/4		4-11/32	2-7/16	2-1/16	2-1/16	15/16	3/8	1/2	1-21/32	1-1/16
FLT204		20	110	62	52	52	24	9.5	12	42	27
FLT205-14	7/8										
FLT205-15	15/16		4-9/16	2-11/16	2-1/16	2-7/32	1-1/32	3/8	1/2	1-49/64	1-1/16
FLT205		25	116	68	52	56	26	9.5	13	45	27
FLT205-16	1										
FLT206-17	1-1/16										
FLT206-18	1-1/8		5-1/8	3-1/16	2-5/32	2-9/16	1-5/32	3/8	1/2	1-31/32	1-9/64
FLT206		30	130	78	55	65	29	9.5	13	50	29
FLT206-19	1-3/16										
FLT206-20	1-1/4										
FLT207-20	1-1/4										
FLT207-21	1-5/16										
FLT207-22	1-3/8		5-21/32	3-17/32	2-7/16	2-3/4	1-5/16	3/8	19/32	2-11/64	1-17/64
FLT207		35	144	90	62	70	33	9.5	15	55	32
FLT207-23	1-7/16										
FLT208-24	1-1/2										
FLT208-25	1-9/16		6-15/32	3-15/16	2-27/32	3-1/16	1-11/32	7/16	5/8	2-23/64	1-39/64
FLT208		40	164	100	72	78	34	11.1	16	60	41



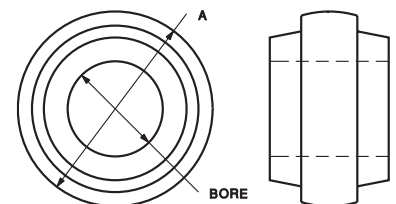
Four-Bolt Flange

Size	Shaft (inches)	Shaft (mm)	A	B	C	D	E
F204-12	3/4		3-3/8	2-33/64	15/32	1	7/16
F204		20	86	64	12	25.5	11
F205-14	7/8						
F205-15	15/16		3-3/4	2-3/4	9/16	1-1/16	7/16
F205		25	95	70	14	27	11
F205-16	1						
F206-17	1-1/16						
F206-18	1-1/8		4-1/4	3-17/64	9/16	1-7/32	7/16
F206		30	108	83	14	31	11
F206-19	1-3/16						
F206-20	1-1/4						
F207-20	1-1/4						
F207-21	1-5/16						
F207-22	1-3/8		4-19/32	3-5/8	3/4	1-11/32	33/64
F207		35	117	92	19	34	13
F207-23							
F208-24	1-1/2						
F208-25	1-9/16		5-1/8	4-1/64	5/8	1-13/32	1/2
F208		40	130	102	16	36	14



Cast Housing Inserts

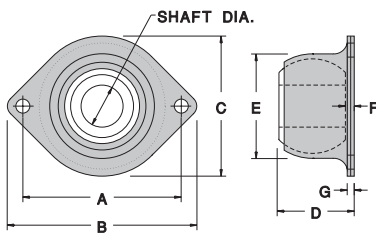
UHMW	OF/UHMW	OF Nylon	Nylatron NSM	A in/mm	Series
120175	120375	120975	123375	1.575 / 40	-201
120176	120376	120976	123376	1.850 / 47	-204
120177	120377	120977	123377	2.047 / 52	-205
120178	120378	120978	123378	2.047 / 52	-205
120179	120379	120979	123379	2.441 / 62	-206
120180	120380	120980	123380	2.835 / 72	-207
120181	120381	120981	123381	2.835 / 72	-207
120182	120382	120982	123382	3.150 / 80	-208



Note: Please specify the desired bore size when ordering.



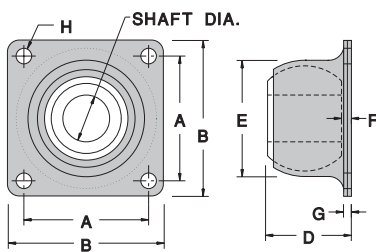
Metal Mounts and Plastic Bearing Inserts



Two-Bolt Side Flange Mounts

Wood	UHMW	OF/ UHMW	Shaft Dia.	A	B	C	D	E	F	G	H	Sphere Dia.
*2404049	2401049	2403049	1/4	1-3/4	2-5/16	1-1/8	9/16	1 1/4	1/16	1/16	9/32" dia.	1
*2404051	2401051	2403051	3/8									
*2404053	2401053	2403053	1/2									
*2404055	2401055	2403055	5/8									
*2404056	2401056	2403056	1/2	2-3/4	3-3/8	2-7/16	1-13/32	2	5/32	1/8	21/64" dia.	1 11/16
*2404058	2401058	2403058	5/8									
*2404060	2401060	2403060	3/4									
*2404062	2401062	2403062	7/8									
*2404064	2401064	2403064	1									
2404065	2401065	2403065	3/4	3-9/32	4	2-3/4	1-9/16	2-3/8	1/16	9/64	25/64" dia.	2
2404067	2401067	2403067	7/8									
2404069	2401069	2403069	1									
2404071	2401071	2403071	1-1/8									

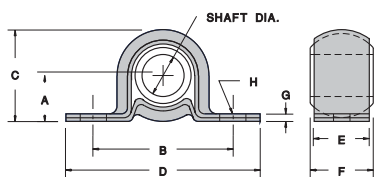
* This Housing is available in Stainless Steel.



Four-Bolt Side Flange Mounts

Wood	UHMW	OF/ UHMW	Shaft Dia.	A	B	D	E	F	G	H	Sphere Dia.
2404072	2401072	2403072	1/2	1-15/16	2-7/16	1-13/32	2	5/32	1/8	17/64" Dia.	1-11/16
2404074	2401074	2403074	5/8								
2404076	2401076	2403076	3/4								
2404078	2401078	2403078	7/8								
2404080	2401080	2403080	1								
2404081	2401081	2403081	3/4	2-5/16	3	1-9/16	2-3/8	1/16	9/64	13/32" Dia.	2
2404083	2401083	2403083	7/8								
2404085	2401085	2403085	1								
2404087	2401087	2403087	1 1/8								
*2404088	2401088	2403088	1	2-3/4	3-5/8	1-13/16	2-7/8	1/16	11/64	13/32" Dia.	2 1/2
*2404090	2401090	2403090	1 1/8								
*2404092	2401092	2403092	1 1/4								
*2404094	2401094	2403094	1 3/8								
*2404096	2401096	2403096	1 1/2								

* This Housing is available in Stainless Steel. Center Flange Mounts are available upon request.



Pillow Blocks, Metal Mounted

Wood	UHMW	OF/ UHMW	Shaft Dia.	A	B	C	D	E	F	G	H	Sphere Dia.
2404001	2401001	2403001	1/4	9/16	1-3/4	1-1/8	2-5/16	7/16	1/2	1/8	17/64 x 5/16	1
2404003	2401003	2403003	3/8									
2404005	2401005	2403005	1/2									
2404007	2401007	2403007	5/8									
2404008	2401008	2403008	1/2	29/32	2-7/8	1-3/4	3-15/16	1-1/8	1-1/4	1/8	21/64 x 21/32	1-11/16
2404010	2401010	2403010	5/8									
2404012	2401012	2403012	3/4									
2404016	2401016	2403016	1									
*2404017	2401017	2403017	1/2	15/16	2-15/16	1-13/16	4-1/32	1-1/8	1-1/4	3/16	21/64 x 21/32	1-11/16
*2404019	2401019	2403019	5/8									
*2404021	2401021	2403021	3/4									
*2404025	2401025	2403025	1									
2404026	2401026	2403026	3/4	1-1/16	3-1/4	2-1/16	4-9/16	1-5/16	1-1/2	1/8	25/64 x 5/8	2
2404030	2401030	2403030	1									
*2404033	2401033	2403033	3/4	1-3/32	3-5/16	2-1/8	5-5/8	1-5/16	1-1/2	3/16	25/64 x 5/8	2
*2404037	2401037	2403037	1									
*2404040	2401040	2403040	1	1-11/32	3-7/8	2-11/16	5-3/8	1-7/16	1-3/4	7/32	25/64 x 25/32	2-1/2
*2404044	2401044	2403044	1-1/4									
*2404046	2401046	2403046	1-3/8									
*2404048	2401048	2403048	1-1/2									

* This housing is available in stainless steel