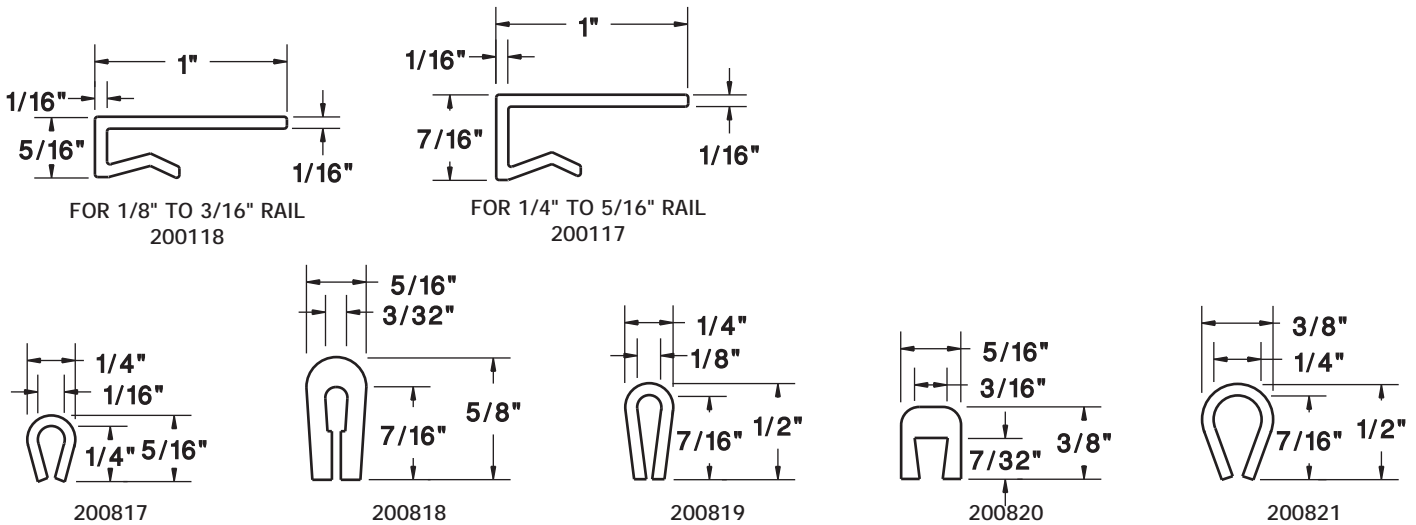


Nylon and High-Temperature Extruded Profile

MD-Nylon Extrusions



PTFE (Teflon®) High Temperature

PTFE profiles are available for use in applications where general purpose thermoplastic materials are unsuitable. Industries where PTFE guides and wear strips can be found include Bakeries, Food Processing, Chemical Processing and Glass Manufacturing.

The benefits of selecting PTFE are:

- Operating temperature of -350°F to 500°F
- Higher resistance to chemicals allows operation in harsh environments
- Very low coefficient of friction
- Excellent insulating properties for electrical applications
- Approved for direct food contact

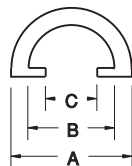
Full Round Snap-On

Part No.	ID
201010	3/8
201011	1/2
201012	3/4
201028	1



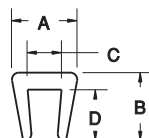
Half Round Snap-On

Part No.	A	B	C
201023	11/16	1/2	1/4
201013	7/8	5/8	3/8
201014	1	3/4	1/2

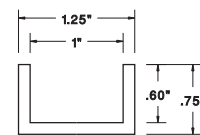


Bar Snap-On

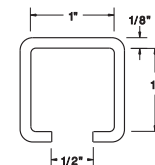
Part No.	A	B	C	D
201019	9/32	11/32	1/8	1/4
201005	1/2	1/2	1/4	3/8
201006	3/4	5/8	3/8	1/2



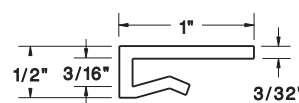
Other Standard Shapes



U-CHANNEL: 231021



GUIDE RAIL: 191007



J-LEG: 211001