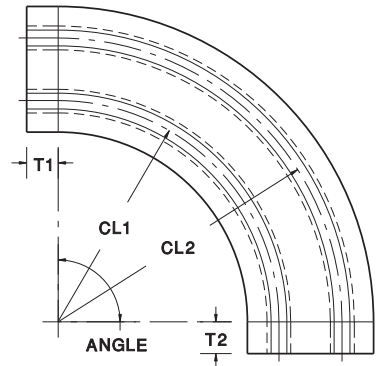
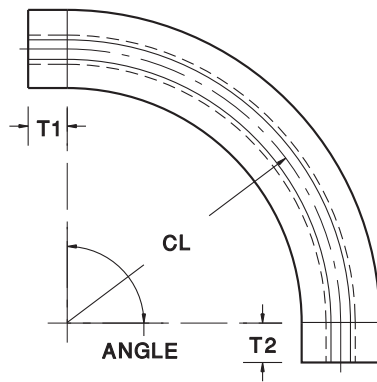
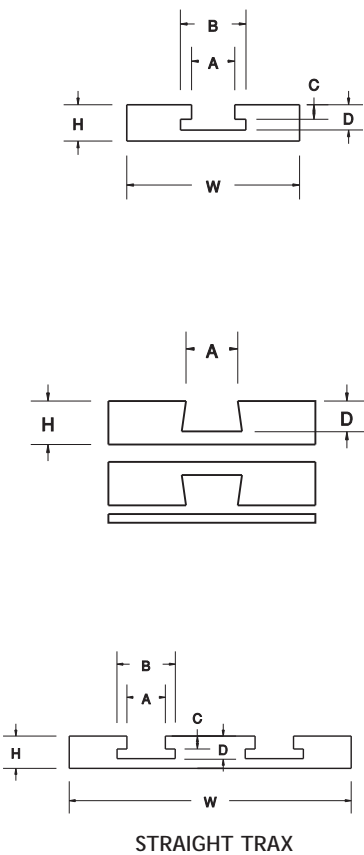


Templates for Creating Your Custom Trax

SlideTrax can be manufactured for any chain or modular belt, for multiple strands of chain, at any degree of turn, and with any center-line radius. Typically machined from UHMW, optional materials for special applications include MD-Nylon and Acetal.

The drawings below indicate the dimensions required. When requesting a quotation, use this form to prepare your specifications. It will help us expedite a quotation for your Custom Trax.



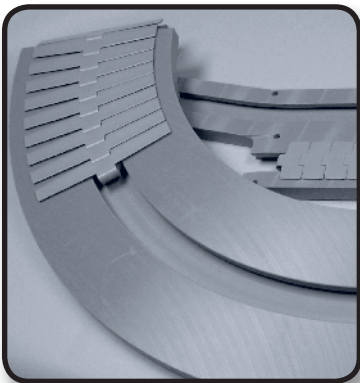
REQUIRED DATA:

Curved Trax

Material Type: _____
 Angle: _____
 CL Radius: CL1. ____ CL2. ____ CL3. ____
 Width: (W) _____
 Thickness: (H) _____
 Tangents: T1. _____ T2. _____
 Chain No. and Width: _____
 Quantity: _____

Straight Trax

Material Type: _____
 Width: (W) _____
 Thickness: (H) _____
 Length: _____
 Chain No. and Width: _____
 Quantity: _____



Slideways Successes: SlideTrax

The Challenge: A customer was manually milling the center out of a SlideTrax curve to accommodate a turn disc.

The Slideways Solution: We rewrote our CNC program to customize the part while it is being machined. The purchase cost was offset significantly by the time and cost savings. Now the customer receives a part that is ready to install.